

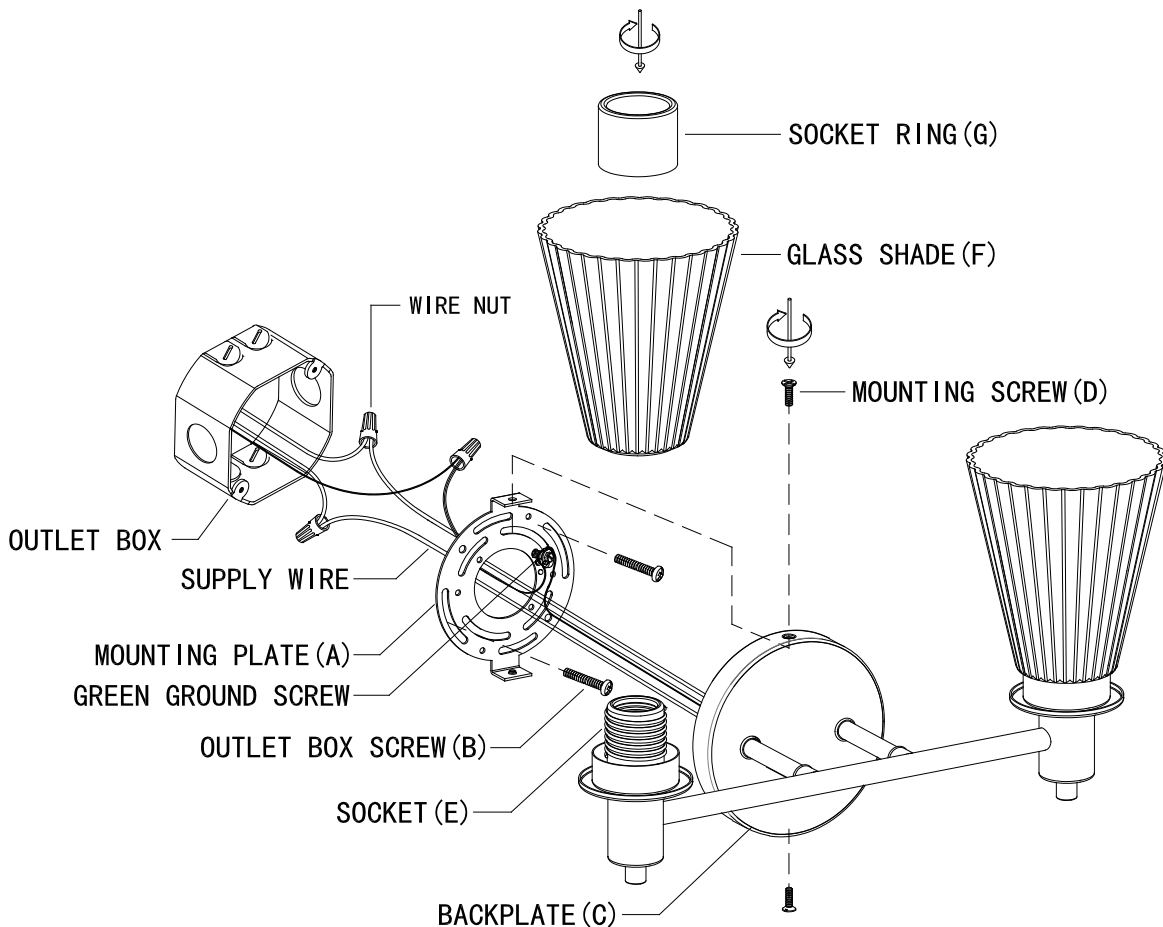
ASSEMBLY AND INSTALLATION INSTRUCTIONS

TO AVOID RISK OF ELECTRICAL SHOCK, BE SURE TO SHUT OFF
WARNING: POWER WHILE INSTALLING OR SERVICING THIS FIXTURE.

NOTE: Before installing, consult local electrical codes for wiring and grounding requirement.

Installation Steps.

1. Carefully unpack and lay all parts on a clean, level surface.
2. Attach the mounting plate (A) to the outlet box using 2 outer box screws (B).
3. Make wire connections :
 - Attach the ground wire to house ground wire using a wire nut.
 - (Or attach them to the mounting plate (A) with a green ground screw.
 - Attach white wire from light to white wire from power source with a wire nut.
 - Attach black wire from light to black wire from power source with a wire nut.
4. Attach the back plate (C) to mounting plate (A) by using a mounting screw (D).
5. Secure the glass shade (F) to the socket (E) by tightening the socket ring (G).
6. Install bulbs. (Please do not exceed the maximum capacity which is recommended on the fixture.)
7. Turn power on at fuse or circuit box.



#5803-1-59 #5803-2-59 #5803-3-59 #5803-4-59
#5803-1-47 #5803-2-47 #5803-3-47 #5803-4-47